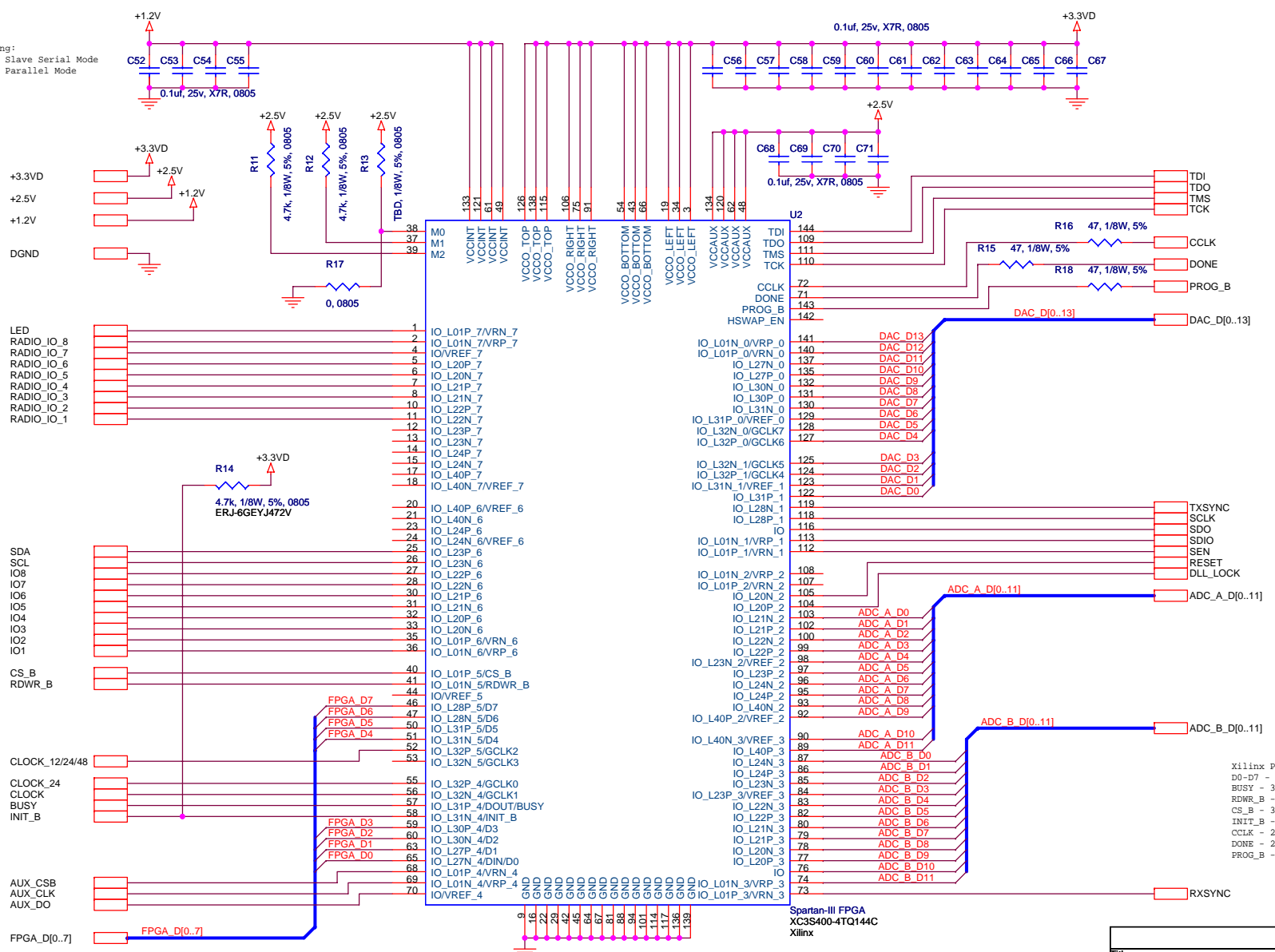


Xilinx Mode Programming:
M0, M1, M2 High - Slave Serial Mode
M0 Low, M1, M2 High - Parallel Mode

Bypass Capacitor
Assignments

Designator	XC38400 Pin
C56	126
C57	138
C58	115
C59	106
C60	75
C61	91
C62	54
C63	43
C64	66
C65	19
C66	34
C67	3

Xilinx Parallel Programming Pins:
D0-D7 - 3.3V
BUSY - 3.3V
RDWR_B - 3.3V
CS_B - 3.3V
INIT_B - 3.3V - needs pull-up resistor
CCLK - 2.5V - needs current limiting resistor
DONE - 2.5V - needs current limiting resistor
PROG_B - 2.5V - needs current limiting resistor



Title NOISE GENERATOR - FPGA		
Size B	Document Number P:\Orbit\USBNoiseGenerator\Version1Rev1	Rev 13
Date: Thursday, February 23, 2006	Sheet 3	of 5